

# BC807; BC807W; BC327

45 V, 500 mA PNP general-purpose transistors

Rev. 05 — 21 February 2005

Product data sheet

## 1. Product profile

### 1.1 General description

PNP general-purpose transistors.

Table 1: Product overview

Type number	Package		NPN complement
	Philips	JEITA	
BC807	SOT23	-	BC817
BC807W	SOT323	SC-70	BC817W
BC327 [1]	SOT54 (TO-92)	SC-43A	BC337

[1] Also available in SOT54A and SOT54 variant packages (see [Section 2](#)).

### 1.2 Features

- High current
- Low voltage

### 1.3 Applications

- General-purpose switching and amplification

### 1.4 Quick reference data

Table 2: Quick reference data

Symbol	Parameter	Conditions	Min	Typ	Max	Unit
$V_{CEO}$	collector-emitter voltage	open base; $I_C = 10 \text{ mA}$	-	-	-45	V
$I_C$	collector current (DC)		-	-	-500	mA
$I_{CM}$	peak collector current		-	-	-1	A
$h_{FE}$	DC current gain	$I_C = -100 \text{ mA}$ ; [1] $V_{CE} = -1 \text{ V}$				
	BC807; BC807W; BC327		100	-	600	
	BC807-16; BC807-16W; BC327-16		100	-	250	
	BC807-25; BC807-25W; BC327-25		160	-	400	
	BC807-40; BC807-40W; BC327-40		250	-	600	

[1] Pulse test:  $t_p \leq 300 \mu\text{s}$ ;  $\delta \leq 0.02$ .

**PHILIPS**

## 2. Pinning information

Table 3: Pinning

Pin	Description	Simplified outline	Symbol
<b>SOT23</b>			
1	base		 sym013
2	emitter		
3	collector		
<b>SOT323</b>			
1	base	 sot323_so	 sym013
2	emitter		
3	collector		
<b>SOT54</b>			
1	emitter	 001aab347	 006aaa149
2	base		
3	collector		
<b>SOT54A</b>			
1	emitter	 001aab348	 006aaa149
2	base		
3	collector		
<b>SOT54 variant</b>			
1	emitter	 001aab447	 006aaa149
2	base		
3	collector		

### 3. Ordering information

**Table 4: Ordering information**

Type number <sup>[1]</sup>	Package		
	Name	Description	Version
BC807	-	plastic surface mounted package; 3 leads	SOT23
BC807W	SC-70	plastic surface mounted package; 3 leads	SOT323
BC327 <sup>[2]</sup>	SC-43A	plastic single-ended leaded (through hole) package; 3 leads	SOT54

[1] Valid for all available selection groups.

[2] Also available in SOT54A and SOT54 variant packages (see [Section 2](#) and [Section 9](#)).

### 4. Marking

**Table 5: Marking codes**

Type number	Marking code <sup>[1]</sup>
BC807	5D*
BC807-16	5A*
BC807-25	5B*
BC807-40	5C*
BC807W	5D*
BC807-16W	5A*
BC807-25W	5B*
BC807-40W	5C*
BC327	C327
BC327-16	C32716
BC327-25	C32725
BC327-40	C32740

[1] \* = -: made in Hong Kong  
 \* = p: made in Hong Kong  
 \* = t: made in Malaysia  
 \* = W: made in China

## 5. Limiting values

**Table 6: Limiting values**

In accordance with the Absolute Maximum Rating System (IEC 60134).

Symbol	Parameter	Conditions	Min	Max	Unit	
$V_{CBO}$	collector-base voltage	open emitter	-	-50	V	
$V_{CEO}$	collector-emitter voltage	open base; $I_C = 10 \text{ mA}$	-	-45	V	
$V_{EBO}$	emitter-base voltage	open collector	-	-5	V	
$I_C$	collector current (DC)		-	-500	mA	
$I_{CM}$	peak collector current		-	-1	A	
$I_{BM}$	peak base current		-	-200	mA	
$P_{tot}$	total power dissipation					
	BC807	$T_{amb} \leq 25 \text{ °C}$	[1] [2]	-	250	mW
	BC807W	$T_{amb} \leq 25 \text{ °C}$	[1] [2]	-	200	mW
	BC327	$T_{amb} \leq 25 \text{ °C}$	[1] [2]	-	625	mW
$T_{stg}$	storage temperature		-65	+150	°C	
$T_j$	junction temperature		-	150	°C	
$T_{amb}$	ambient temperature		-65	+150	°C	

[1] Transistor mounted on an FR4 printed-circuit board, single-sided copper, tin-plated and standard footprint.

[2] Valid for all available selection groups.

## 6. Thermal characteristics

**Table 7: Thermal characteristics**

Symbol	Parameter	Conditions	Min	Typ	Max	Unit	
$R_{th(j-a)}$	thermal resistance from junction to ambient						
	BC807	$T_{amb} \leq 25 \text{ °C}$	[1] [2]	-	-	500	K/W
	BC807W	$T_{amb} \leq 25 \text{ °C}$	[1] [2]	-	-	625	K/W
	BC327	$T_{amb} \leq 25 \text{ °C}$	[1] [2]	-	-	200	K/W

[1] Transistor mounted on an FR4 printed-circuit board, single-sided copper, tin-plated and standard footprint.

[2] Valid for all available selection groups.

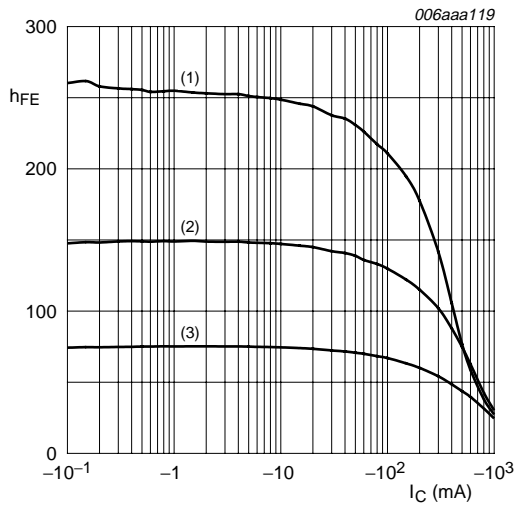
## 7. Characteristics

**Table 8: Characteristics**
*T<sub>amb</sub> = 25 °C unless otherwise specified.*

Symbol	Parameter	Conditions	Min	Typ	Max	Unit
I <sub>CBO</sub>	collector-base cut-off current	I <sub>E</sub> = 0 A; V <sub>CB</sub> = -20 V	-	-	-100	nA
		I <sub>E</sub> = 0 A; V <sub>CB</sub> = -20 V; T <sub>j</sub> = 150 °C	-	-	-5	μA
I <sub>EBO</sub>	emitter-base cut-off current	I <sub>C</sub> = 0 A; V <sub>EB</sub> = -5 V	-	-	-100	nA
h <sub>FE</sub>	DC current gain	I <sub>C</sub> = -100 mA; V <sub>CE</sub> = -1 V	[1]			
		BC807; BC807W; BC327	100	-	600	
		BC807-16; BC807-16W; BC327-16	100	-	250	
		BC807-25; BC807-25W; BC327-25	160	-	400	
		BC807-40; BC807-40W; BC327-40	250	-	600	
h <sub>FE</sub>	DC current gain	I <sub>C</sub> = -500 mA; V <sub>CE</sub> = -1 V	[1]	40	-	-
V <sub>CEsat</sub>	collector-emitter saturation voltage	I <sub>C</sub> = -500 mA; I <sub>B</sub> = -50 mA	[1]	-	-	-700 mV
V <sub>BE</sub>	base-emitter voltage	I <sub>C</sub> = -500 mA; V <sub>CE</sub> = -1 V	[2]	-	-	-1.2 V
C <sub>c</sub>	collector capacitance	I <sub>E</sub> = i <sub>e</sub> = 0 A; V <sub>CB</sub> = -10 V; f = 1 MHz	-	5	-	pF
f <sub>T</sub>	transition frequency	I <sub>C</sub> = -10 mA; V <sub>CE</sub> = -5 V; f = 100 MHz	80	-	-	MHz

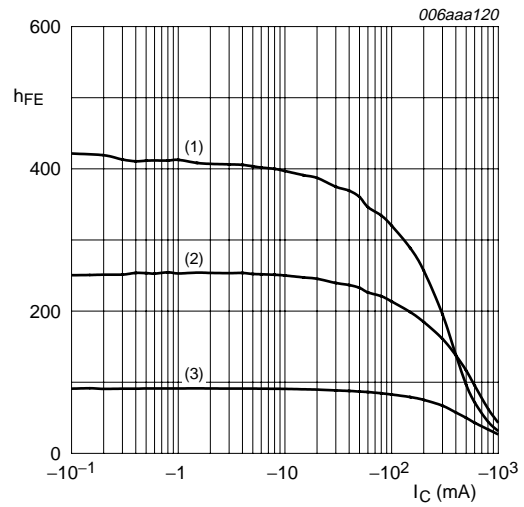
[1] Pulse test: t<sub>p</sub> ≤ 300 μs; δ ≤ 0.02.

[2] V<sub>BE</sub> decreases by approximately 2 mV/K with increasing temperature.



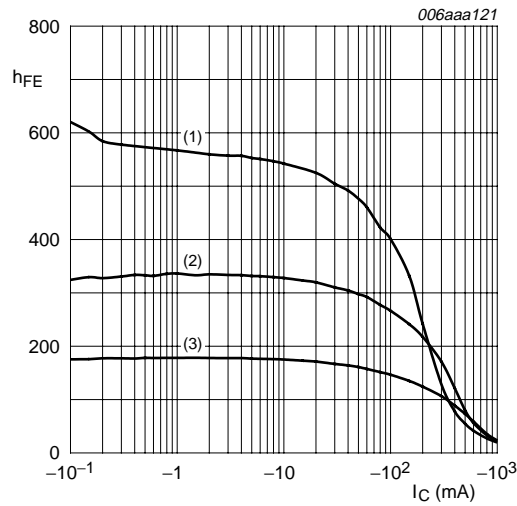
$V_{CE} = -1$  V.  
 (1)  $T_{amb} = 150$  °C.  
 (2)  $T_{amb} = 25$  °C.  
 (3)  $T_{amb} = -55$  °C.

**Fig 1. Selection -16: DC current gain as a function of collector current; typical values.**



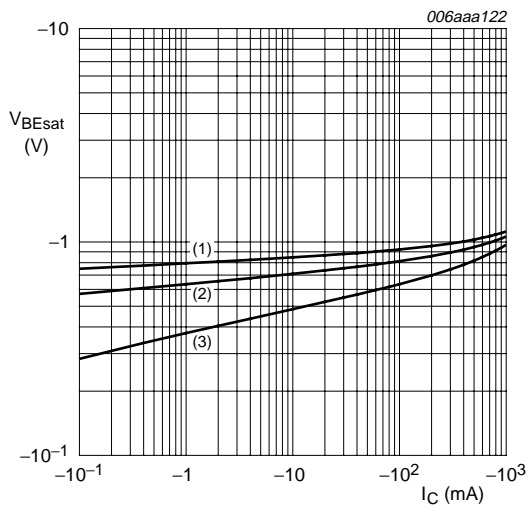
$V_{CE} = -1$  V.  
 (1)  $T_{amb} = 150$  °C.  
 (2)  $T_{amb} = 25$  °C.  
 (3)  $T_{amb} = -55$  °C.

**Fig 2. Selection -25: DC current gain as a function of collector current; typical values.**



$V_{CE} = -1$  V.  
 (1)  $T_{amb} = 150$  °C.  
 (2)  $T_{amb} = 25$  °C.  
 (3)  $T_{amb} = -55$  °C.

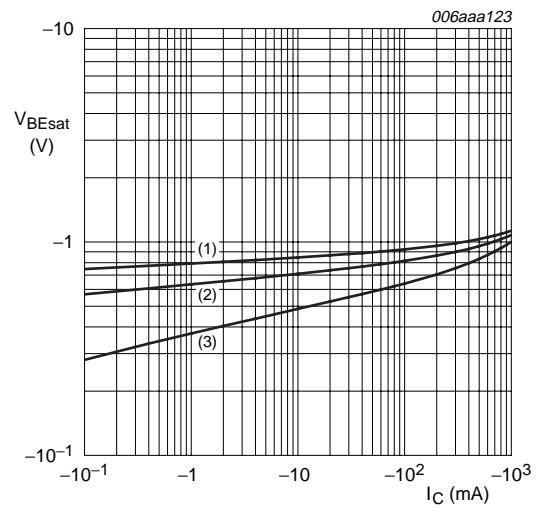
**Fig 3. Selection -40: DC current gain as a function of collector current; typical values.**



$I_C/I_B = 10$ .

- (1)  $T_{amb} = -55\text{ °C}$ .
- (2)  $T_{amb} = 25\text{ °C}$ .
- (3)  $T_{amb} = 150\text{ °C}$ .

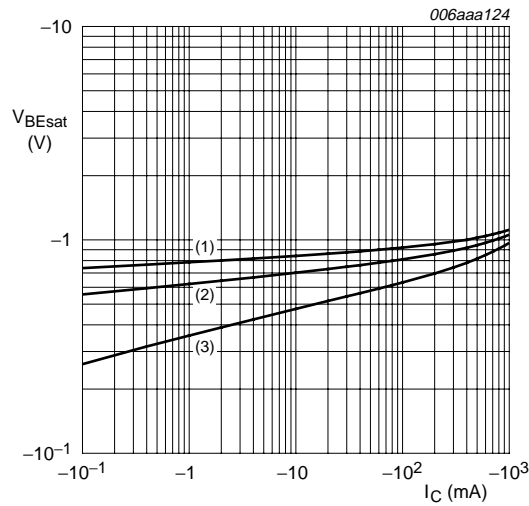
**Fig 4. Selection -16: Base-emitter saturation voltage as a function of collector current; typical values.**



$I_C/I_B = 10$ .

- (1)  $T_{amb} = -55\text{ °C}$ .
- (2)  $T_{amb} = 25\text{ °C}$ .
- (3)  $T_{amb} = 150\text{ °C}$ .

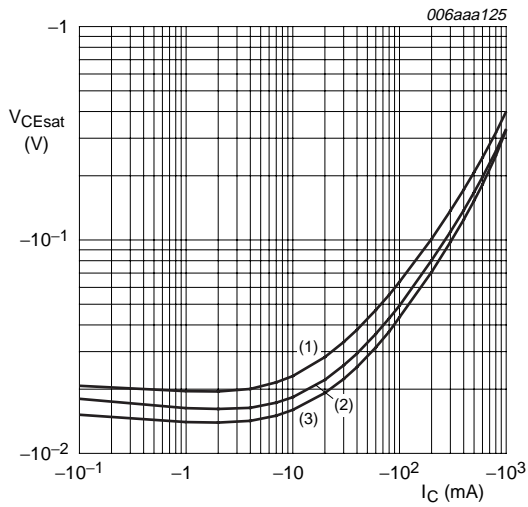
**Fig 5. Selection -25: Base-emitter saturation voltage as a function of collector current; typical values.**



$I_C/I_B = 10$ .

- (1)  $T_{amb} = -55\text{ °C}$ .
- (2)  $T_{amb} = 25\text{ °C}$ .
- (3)  $T_{amb} = 150\text{ °C}$ .

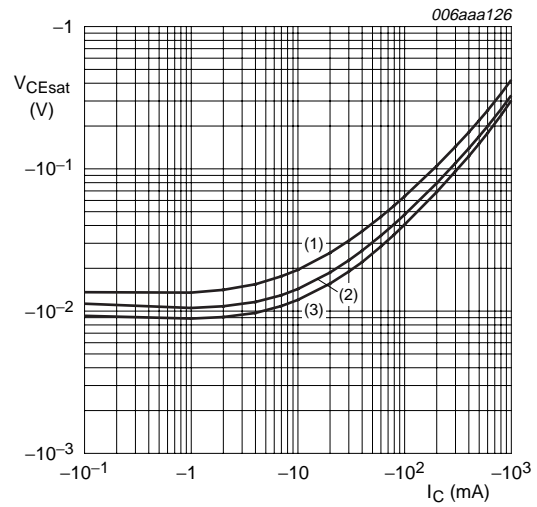
**Fig 6. Selection -40: Base-emitter saturation voltage as a function of collector current; typical values.**



$I_C/I_B = 10$ .

- (1)  $T_{amb} = 150\text{ °C}$ .
- (2)  $T_{amb} = 25\text{ °C}$ .
- (3)  $T_{amb} = -55\text{ °C}$ .

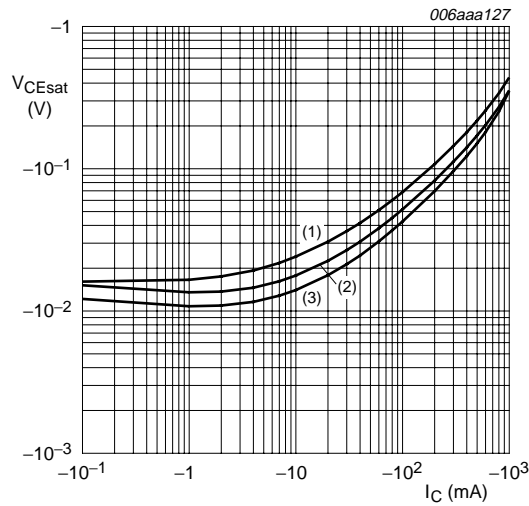
**Fig 7. Selection -16: Collector-emitter saturation voltage as a function of collector current; typical values.**



$I_C/I_B = 10$ .

- (1)  $T_{amb} = 150\text{ °C}$ .
- (2)  $T_{amb} = 25\text{ °C}$ .
- (3)  $T_{amb} = -55\text{ °C}$ .

**Fig 8. Selection -25: Collector-emitter saturation voltage as a function of collector current; typical values.**

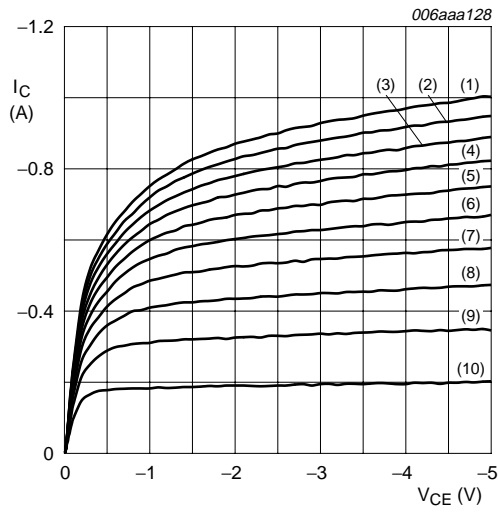


$I_C/I_B = 10$ .

- (1)  $T_{amb} = 150\text{ °C}$ .
- (2)  $T_{amb} = 25\text{ °C}$ .
- (3)  $T_{amb} = -55\text{ °C}$ .

**Fig 9. Selection -40: Collector-emitter saturation voltage as a function of collector current; typical values.**

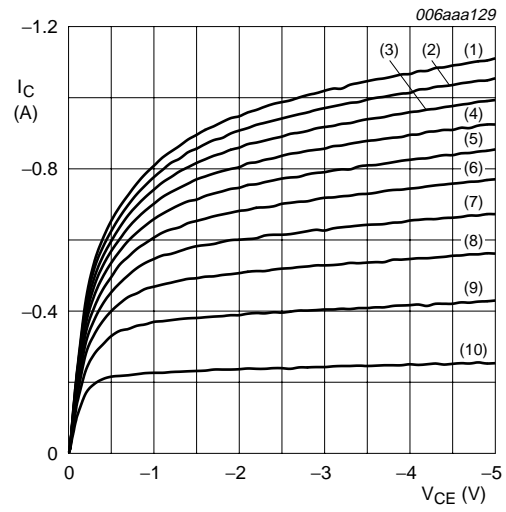




$T_{amb} = 25\text{ }^{\circ}\text{C}.$

- (1)  $I_B = -16.0\text{ mA}.$
- (2)  $I_B = -14.4\text{ mA}.$
- (3)  $I_B = -12.8\text{ mA}.$
- (4)  $I_B = -11.2\text{ mA}.$
- (5)  $I_B = -9.6\text{ mA}.$
- (6)  $I_B = -8.0\text{ mA}.$
- (7)  $I_B = -6.4\text{ mA}.$
- (8)  $I_B = -4.8\text{ mA}.$
- (9)  $I_B = -3.2\text{ mA}.$
- (10)  $I_B = -1.6\text{ mA}.$

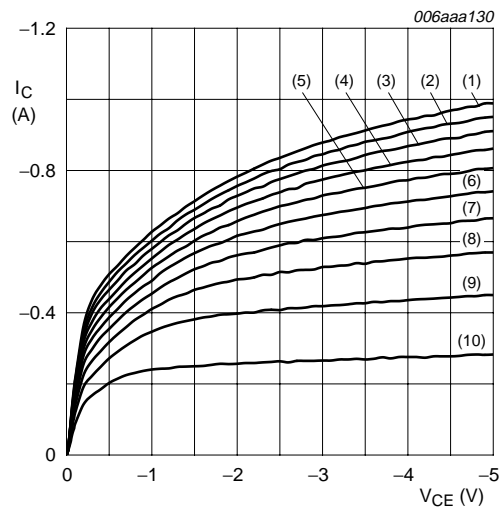
**Fig 10. Selection -16: Collector current as a function of collector-emitter voltage; typical values.**



$T_{amb} = 25\text{ }^{\circ}\text{C}.$

- (1)  $I_B = -13.0\text{ mA}.$
- (2)  $I_B = -11.7\text{ mA}.$
- (3)  $I_B = -10.4\text{ mA}.$
- (4)  $I_B = -9.1\text{ mA}.$
- (5)  $I_B = -7.8\text{ mA}.$
- (6)  $I_B = -6.5\text{ mA}.$
- (7)  $I_B = -5.2\text{ mA}.$
- (8)  $I_B = -3.9\text{ mA}.$
- (9)  $I_B = -2.6\text{ mA}.$
- (10)  $I_B = -1.3\text{ mA}.$

**Fig 11. Selection -25: Collector current as a function of collector-emitter voltage; typical values.**



$T_{amb} = 25\text{ }^{\circ}\text{C}$ .

- (1)  $I_B = -12.0\text{ mA}$ .
- (2)  $I_B = -10.8\text{ mA}$ .
- (3)  $I_B = -9.6\text{ mA}$ .
- (4)  $I_B = -8.4\text{ mA}$ .
- (5)  $I_B = -7.2\text{ mA}$ .
- (6)  $I_B = -6.0\text{ mA}$ .
- (7)  $I_B = -4.8\text{ mA}$ .
- (8)  $I_B = -3.6\text{ mA}$ .
- (9)  $I_B = -2.4\text{ mA}$ .
- (10)  $I_B = -1.2\text{ mA}$ .

**Fig 12. Selection -40: Collector current as a function of collector-emitter voltage; typical values.**

**8. Package outline**

Plastic surface mounted package; 3 leads

SOT23

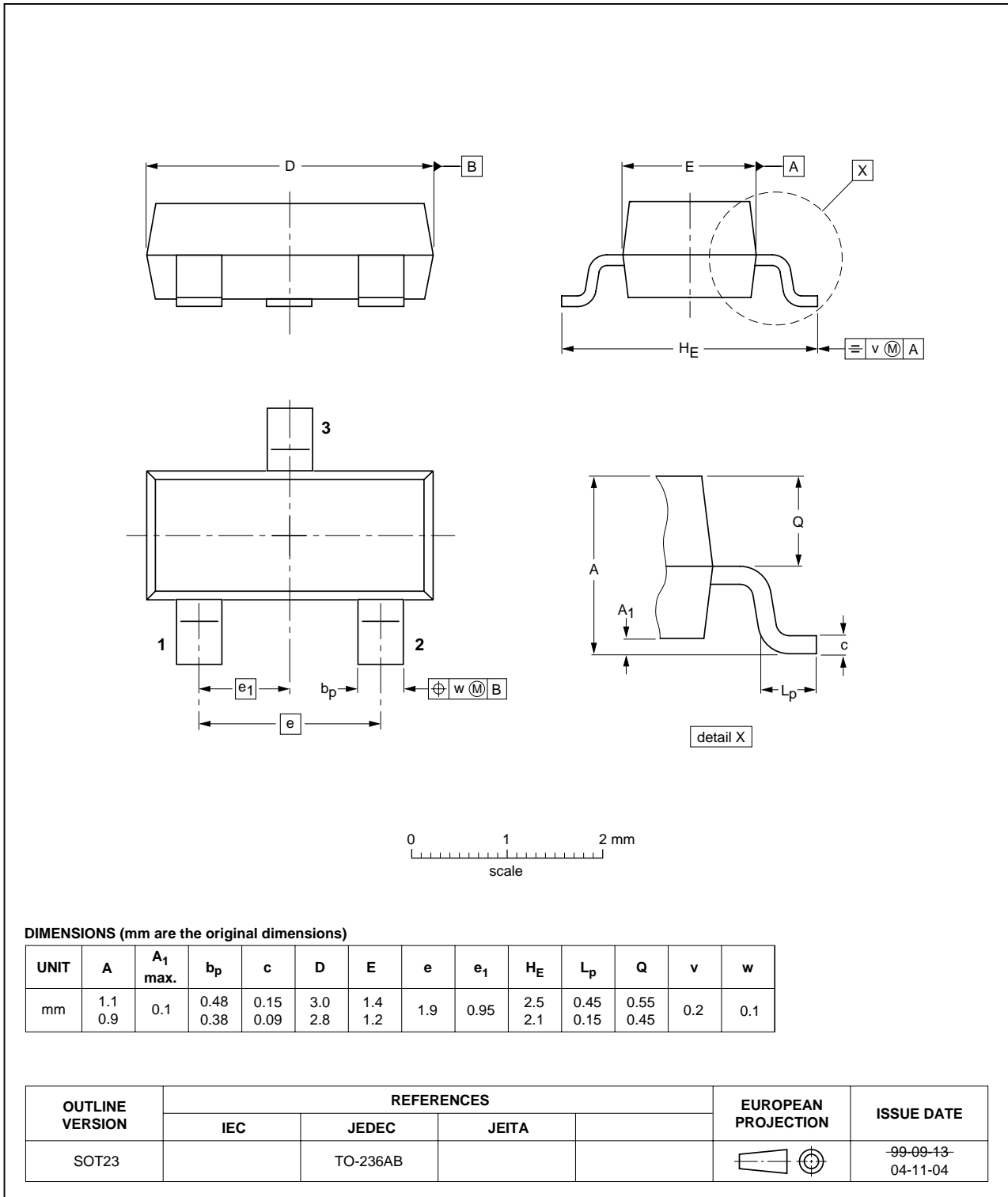


Fig 13. Package outline SOT23 (TO-236AB).

Plastic surface mounted package; 3 leads

SOT323

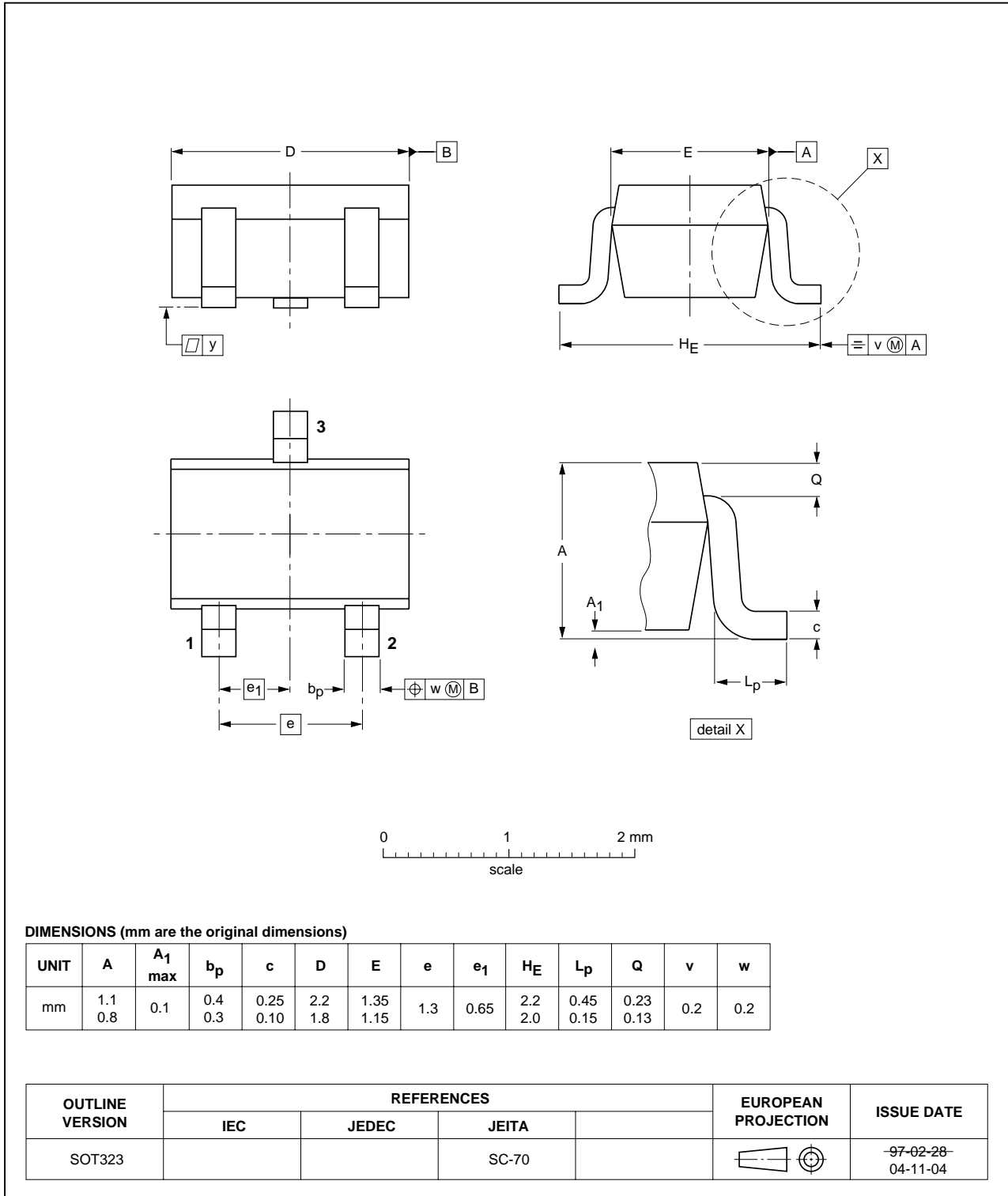


Fig 14. Package outline SOT323 (SC-70).

Plastic single-ended leaded (through hole) package; 3 leads

SOT54

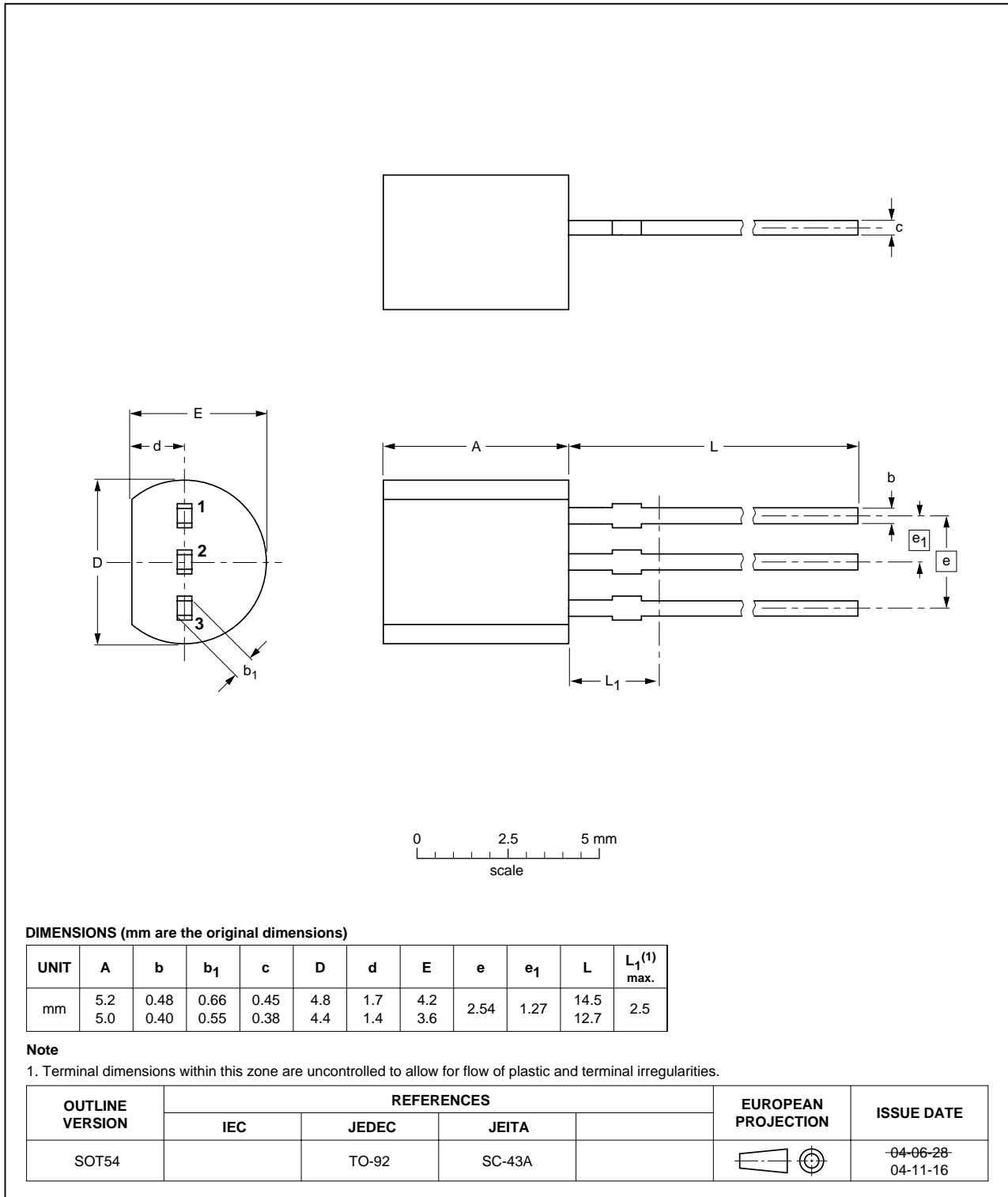
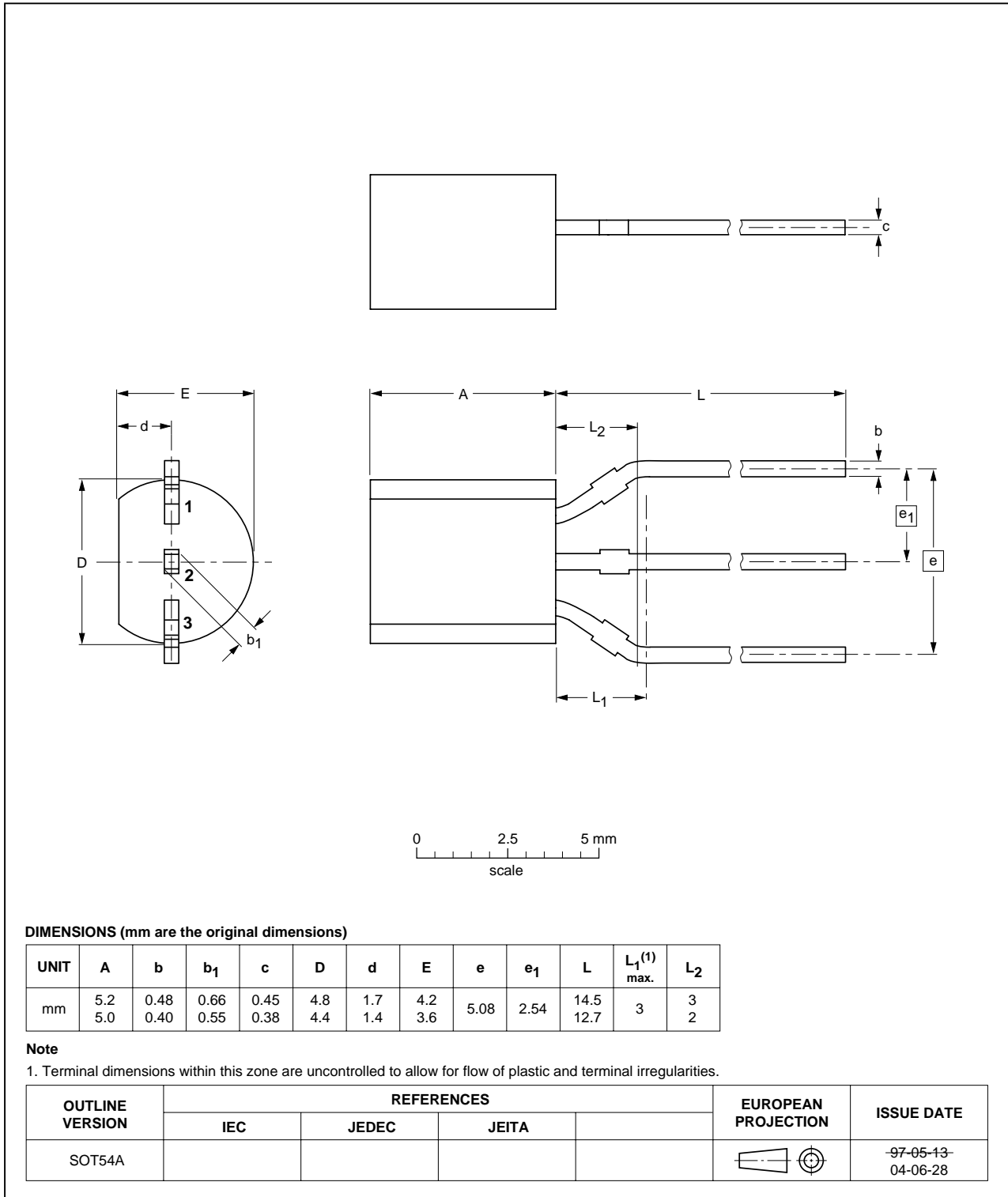


Fig 15. Package outline SOT54 (SC-43A/TO-92).

Plastic single-ended leaded (through hole) package; 3 leads (wide pitch) **SOT54A**

**SOT54A**



**Fig 16. Package outline SOT54A.**

Plastic single-ended leaded (through hole) package; 3 leads (on-circle)

SOT54 variant

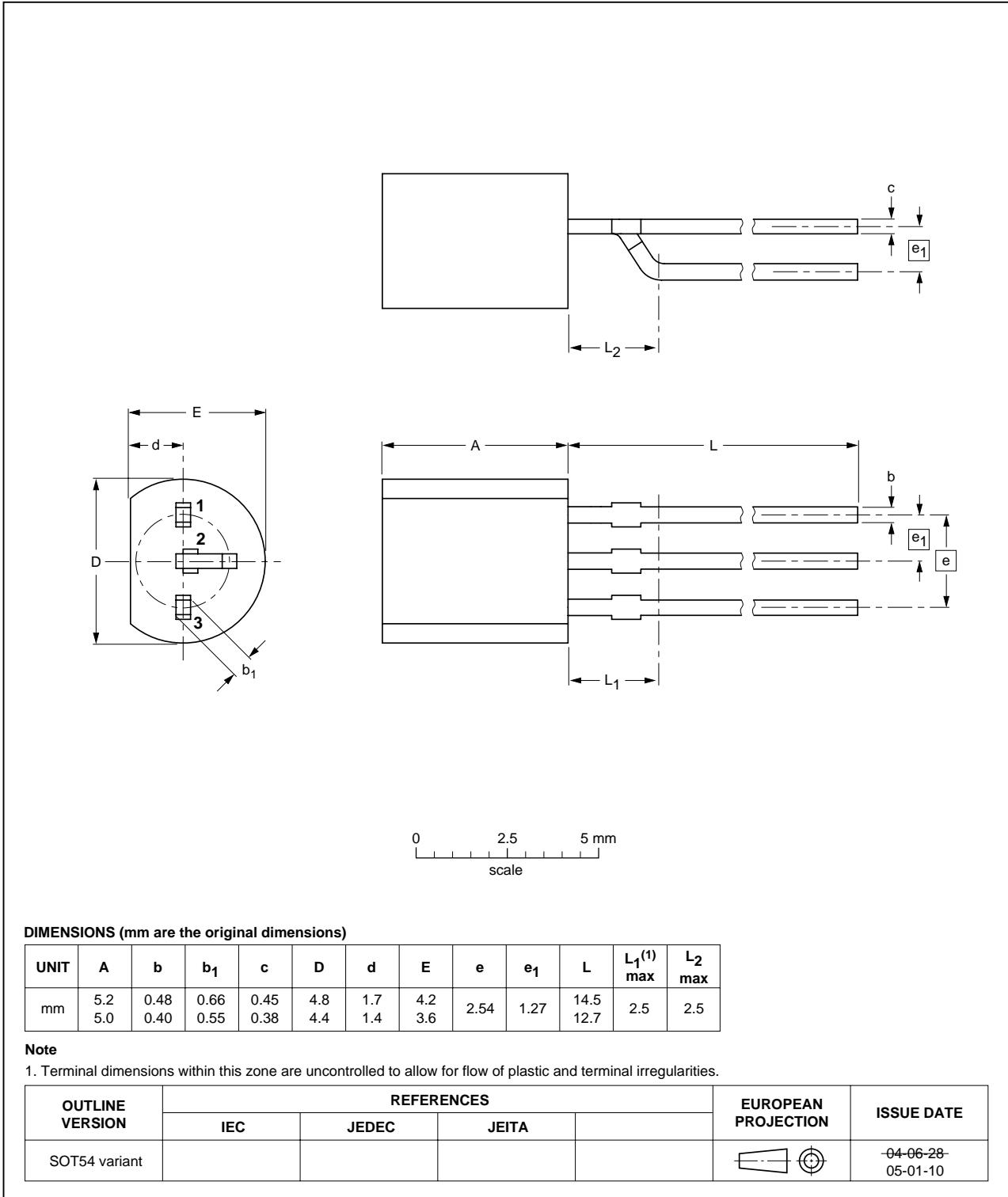


Fig 17. Package outline SOT54 variant.

## 9. Packing information

**Table 9: Packing methods**

The indicated -xxx are the last three digits of the 12NC ordering code. [\[1\]](#)

Type number	Package	Description	Packing quantity		
			3000	5000	10000
BC807	SOT23	4 mm pitch, 8 mm tape and reel	-215	-	-235
BC807W	SOT323	4 mm pitch, 8 mm tape and reel	-115	-	-135
BC327	SOT54	bulk, straight leads	-	-412	-
BC327	SOT54A	tape and reel, wide pitch	-	-	-116
BC327	SOT54A	tape ammopack, wide pitch	-	-	-126
BC327	SOT 54 variant	bulk, delta pinning (on-circle)	-	-112	-

[1] For further information and the availability of packing methods, see [Section 14](#).



## 10. Revision history

**Table 10: Revision history**

Document ID	Release date	Data sheet status	Change notice	Doc. number	Supersedes
BC807_BC807W_ BC327_5	20050221	Product data sheet	CPCN200302007F CPCN200405006F	9397 750 14023	BC807_4; BC807W_3; BC327_3
Modifications:					
			<ul style="list-style-type: none"> <li>The format of the data sheet has been redesigned to comply with the new presentation and information standard of Philips Semiconductors.</li> <li>This data sheet is a combination of the previous data sheets BC807_4, BC807W_3 and BC327_3.</li> <li><a href="#">Table 1</a> and <a href="#">2</a> added</li> <li><a href="#">Table 3</a> Discrete pinning for SOT54A and SOT54 variant added</li> <li><a href="#">Table 5</a> Marking codes for BC327, BC327-16, BC327-25 and BC327-40 added</li> <li><a href="#">Table 8</a> Typical value for <math>C_c</math> changed to 5 pF according to CPCN200302007F1</li> <li><a href="#">Figure 1</a>, <a href="#">2</a> and <a href="#">3</a> amended</li> <li><a href="#">Figure 4</a>, <a href="#">5</a>, <a href="#">6</a>, <a href="#">7</a>, <a href="#">8</a>, <a href="#">9</a>, <a href="#">10</a>, <a href="#">11</a> and <a href="#">12</a> added</li> <li><a href="#">Figure 15</a> changed according to CPCN200405006F</li> <li><a href="#">Figure 16</a> and <a href="#">17</a> added</li> <li><a href="#">Section 9</a> added</li> </ul>		
BC807_4	20040116	Product specification	-	9397 750 12393	BC807_3
BC807W_3	19990518	Product specification	-	9397 750 05954	BC807W_808W_ CNV_2
BC327_3	19990415	Product specification	-	9397 750 05675	BC327_2

## 11. Data sheet status

Level	Data sheet status <sup>[1]</sup>	Product status <sup>[2]</sup> <sup>[3]</sup>	Definition
I	Objective data	Development	This data sheet contains data from the objective specification for product development. Philips Semiconductors reserves the right to change the specification in any manner without notice.
II	Preliminary data	Qualification	This data sheet contains data from the preliminary specification. Supplementary data will be published at a later date. Philips Semiconductors reserves the right to change the specification without notice, in order to improve the design and supply the best possible product.
III	Product data	Production	This data sheet contains data from the product specification. Philips Semiconductors reserves the right to make changes at any time in order to improve the design, manufacturing and supply. Relevant changes will be communicated via a Customer Product/Process Change Notification (CPCN).

[1] Please consult the most recently issued data sheet before initiating or completing a design.

[2] The product status of the device(s) described in this data sheet may have changed since this data sheet was published. The latest information is available on the Internet at URL <http://www.semiconductors.philips.com>.

[3] For data sheets describing multiple type numbers, the highest-level product status determines the data sheet status.

## 12. Definitions

**Short-form specification** — The data in a short-form specification is extracted from a full data sheet with the same type number and title. For detailed information see the relevant data sheet or data handbook.

**Limiting values definition** — Limiting values given are in accordance with the Absolute Maximum Rating System (IEC 60134). Stress above one or more of the limiting values may cause permanent damage to the device. These are stress ratings only and operation of the device at these or at any other conditions above those given in the Characteristics sections of the specification is not implied. Exposure to limiting values for extended periods may affect device reliability.

**Application information** — Applications that are described herein for any of these products are for illustrative purposes only. Philips Semiconductors make no representation or warranty that such applications will be suitable for the specified use without further testing or modification.

## 13. Disclaimers

**Life support** — These products are not designed for use in life support appliances, devices, or systems where malfunction of these products can reasonably be expected to result in personal injury. Philips Semiconductors customers using or selling these products for use in such applications do so at their own risk and agree to fully indemnify Philips Semiconductors for any damages resulting from such application.

**Right to make changes** — Philips Semiconductors reserves the right to make changes in the products - including circuits, standard cells, and/or software - described or contained herein in order to improve design and/or performance. When the product is in full production (status 'Production'), relevant changes will be communicated via a Customer Product/Process Change Notification (CPCN). Philips Semiconductors assumes no responsibility or liability for the use of any of these products, conveys no license or title under any patent, copyright, or mask work right to these products, and makes no representations or warranties that these products are free from patent, copyright, or mask work right infringement, unless otherwise specified.

## 14. Contact information

For additional information, please visit: <http://www.semiconductors.philips.com>

For sales office addresses, send an email to: [sales.addresses@www.semiconductors.philips.com](mailto:sales.addresses@www.semiconductors.philips.com)

## 15. Contents

<b>1</b>	<b>Product profile</b> .....	<b>1</b>
1.1	General description .....	1
1.2	Features .....	1
1.3	Applications .....	1
1.4	Quick reference data .....	1
<b>2</b>	<b>Pinning information</b> .....	<b>2</b>
<b>3</b>	<b>Ordering information</b> .....	<b>3</b>
<b>4</b>	<b>Marking</b> .....	<b>3</b>
<b>5</b>	<b>Limiting values</b> .....	<b>4</b>
<b>6</b>	<b>Thermal characteristics</b> .....	<b>4</b>
<b>7</b>	<b>Characteristics</b> .....	<b>5</b>
<b>8</b>	<b>Package outline</b> .....	<b>11</b>
<b>9</b>	<b>Packing information</b> .....	<b>16</b>
<b>10</b>	<b>Revision history</b> .....	<b>17</b>
<b>11</b>	<b>Data sheet status</b> .....	<b>18</b>
<b>12</b>	<b>Definitions</b> .....	<b>18</b>
<b>13</b>	<b>Disclaimers</b> .....	<b>18</b>
<b>14</b>	<b>Contact information</b> .....	<b>18</b>



© Koninklijke Philips Electronics N.V. 2005

All rights are reserved. Reproduction in whole or in part is prohibited without the prior written consent of the copyright owner. The information presented in this document does not form part of any quotation or contract, is believed to be accurate and reliable and may be changed without notice. No liability will be accepted by the publisher for any consequence of its use. Publication thereof does not convey nor imply any license under patent- or other industrial or intellectual property rights.

Date of release: 21 February 2005  
Document number: 9397 750 14023

Published in The Netherlands